



# EMERGENCY DRIVERS

PROJECT		
TYPE	PART#	

## PRODUCT FEATURES

- Fully enclosed construction
- Built-in status indicator and test switch
- High temperature nickel cadmium (NiCad) battery
- Constant voltage design allows multiple lights per driver and greater efficiency
- UL registered; CE certified; RoHS compliant
- Plenum rated suitable for use in air handling spaces
- Protections include: short circuit, over current, over voltage and over temperature
- Built-in active power factor correction (PFC)
- 7W for 90 minutes minimum emergency operation
- Built-in monthly and annual test feature
- Built-in self diagnostics with external indicator
- Optional remote test switch available
- One year warranty

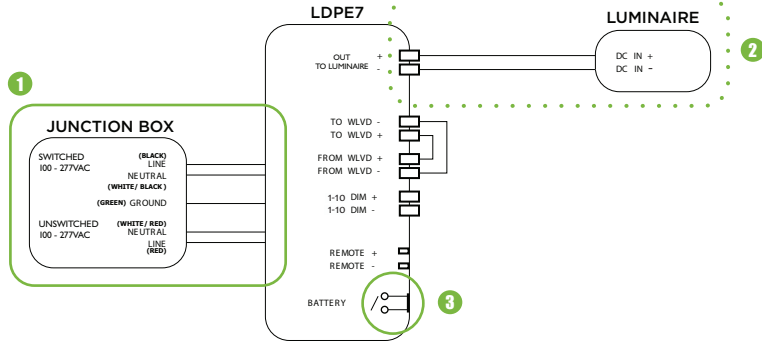


## PART NUMBER & PRODUCT GUIDE (EMERGENCY DRIVERS)

Part#	Size (WxLxD)	AC Input			DC Output			Safety	
		Voltage	Inrush Current*	Max Amps**	Voltage	Max Amps	Power	Working Temperature	Thermal Shutdown
LD16PE7	5.0"x 14.5"x 1.75"	90-305V	45A	0.42A	24VDC	0.67A	16W	0-50C	75C
LD25PE7	5.0"x 14.5"x 1.75"	90-305V	45A	0.42A	24VDC	1.05A	25W	0-50C	75C
LD40PE7	5.0"x 14.5"x 1.75"	90-305V	55A	0.61A	24VDC	1.67A	40W	0-50C	75C
LD60PE7	5.0"x 14.5"x 1.75"	90-305V	55A	0.80A	24VDC	2.50A	60W	0-50C	75C
LD90PE7	5.0"x 14.5"x 1.75"	90-305V	70A	0.95A	24VDC	3.75A	90W	0-50C	70C
LD100PE7	5.0"x 14.5"x 1.75"	90-305V	60A	1.18A	24VDC	4.00A	96W	0-50C	70C

\* @230V \*\*@110V

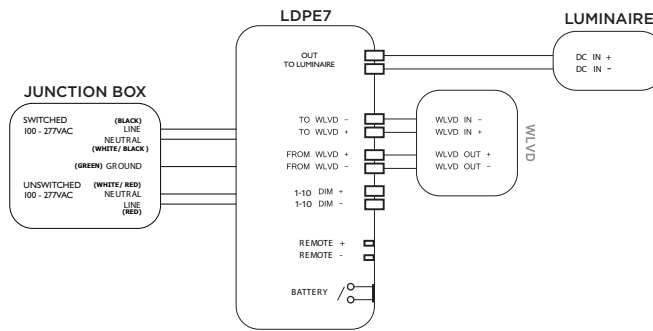
SELF-TEST AND FIXTURE INDICATOR STANDARD WIRING



- 1 Connect LINE VOLTAGE to Emergency LED driver (Number 1 at left)
- 2 Connect FIXTURE to Emergency LED driver (Number 2 at left)
- 3 Activate BATTERY (Toggle battery switch to 'ON' position - see Number 3 at left)

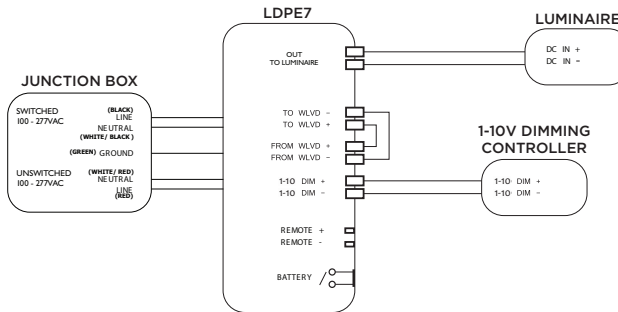
EMERGENCY LED DRIVER WITH WIRELESS DIMMER FIXTURE CONTROL

See LDPE7 Instruction Manual for complete Installation Instructions.



EMERGENCY LED DRIVER WITH 1-10V DIMMER CONTROL

See LDPE7 Instruction Manual for complete Installation Instructions.



OPTIONAL MANUAL TEST AND EXTERNAL INDICATOR CONNECTIONS

See LDPE7 Instruction Manual for complete Installation Instructions.

