



# 1' X 1' LED PANEL



PROJECT	
TYPE	PART#

## PRODUCT FEATURES

- Plug & Play 24 Volt design for quick install and design flexibility
- Constant voltage design allows multiple lights per driver and greater energy efficiency
- Dimmable (0-10V or PWM)
- Polycarbonate diffuser will not shatter, sag or yellow
- 100% acrylic light guide panel for color stability
- Edge-lit design for ultra thin profile (3/8")
- Wide 120° beam angle for better spacing
- Lights can be located up to 50' from driver
- IP44 rating for damp or dry locations
- IC rating permits contact with insulation
- Rated for over 50,000 hours LM-70
- Panels may be grid, flush, surface mounted or suspended
- Install with TILT® Drivers and Wired Components



## PART NUMBER & PRODUCT GUIDE (1' X 1' LED PANEL)

Grid Mount Part#	Flush Mount Part#	Description	Color Temp	CRI	R9	Lumens	AC Watts	DC Watts	L/W-DC
LGM1130W-HE	LFM1130W-HE	1'X1' LED Panel	3000K	>80	>5	925	8	7	132
LGM1135W-HE	LFM1135W-HE	1'X1' LED Panel	3500K	>80	>5	975	8	7	139
LGM1140W-HE	LFM1140W-HE	1'X1' LED Panel	4000K	>80	>5	1000	8	7	142
LGM1150W-HE	LFM1150W-HE	1'X1' LED Panel	5000K	>80	>5	1050	8	7	150
LGM1130W-CQ*	LFM1130W-CQ*	1'X1' LED Panel	3000K	>90	>50	850	12	10	85
LGM1135W-CQ*	LFM1135W-CQ*	1'X1' LED Panel	3500K	>90	>50	900	12	10	90
LGM1140W-CQ*	LFM1140W-CQ*	1'X1' LED Panel	4000K	>90	>50	950	12	10	95
LGM1150W-CQ*	LFM1150W-CQ*	1'X1' LED Panel	5000K	>90	>50	1000	12	10	100

• HE Model is designed to provide a balance of light quality and energy efficiency.

• CQ Model is designed to provide high color rendering with a more complete spectral distribution.

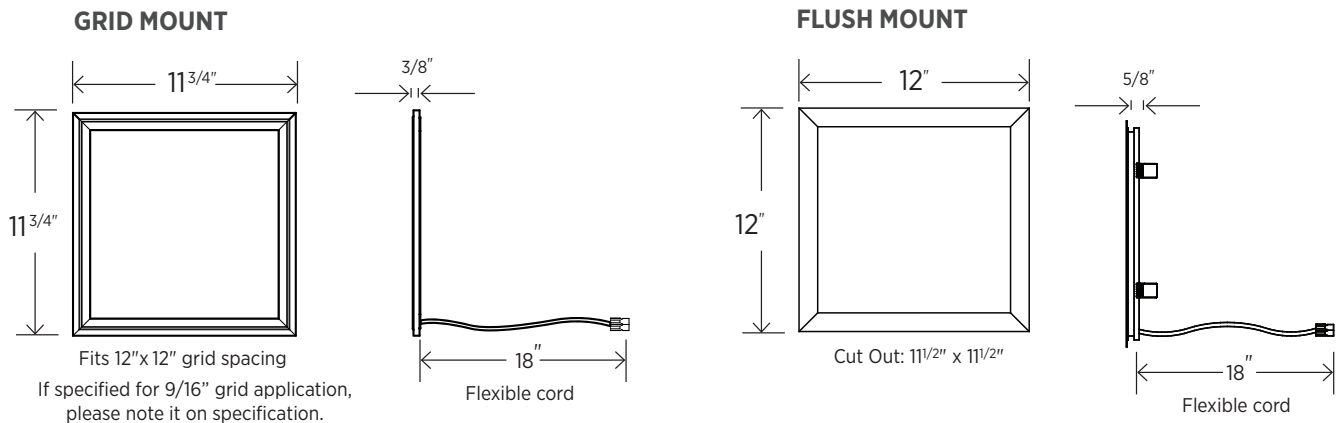
• For surface mount application: Use Grid Mount product with surface mount accessory.

\* CQ Model orders may have minimum order quantity and require additional lead time. Contact Lauren Illumination for details.

DRIVER SPECIFICATIONS

Part #	Size (WxLxD)	AC Input	DC Output	Working Temp	Max Lights/Driver	
					HE	CQ
LD16	3.0" x 12.0" x 1.5"	90 - 305V	24V / 16W	-35-70C	2	1
LD25	3.0" x 12.0" x 1.5"	90 - 305V	24V / 25W	-35-70C	3	2
LD40	3.0" x 12.0" x 1.5"	90 - 305V	24V / 40W	-40-70C	5	4
LD60	3.0" x 12.0" x 1.5"	90 - 305V	24V / 60W	-40-70C	8	6
LD90	3.0" x 12.0" x 1.5"	90 - 305V	24V / 90W	-40-70C	12	9
LD100P	2.6" x 14.0" x 1.6"	90 - 305V	24V / 100W	-40-60C	13	10

DIMENSIONAL DATA



Product Weight: 2.3 lbs

PHOTOMETRIC DATA

