



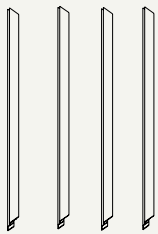
3/4" SURFACE MOUNT KIT

BEFORE INSTALLATION



• READ ALL INSTRUCTIONS BEFORE BEGINNING INSTALLATION!

Package Contents



- Corner Keys (4)
- Frame pieces (4)

- Packaging may differ depending on product ordered
- Lay parts on a clean, flat surface

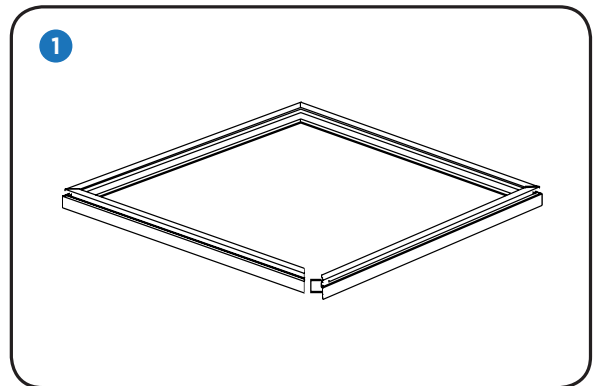
Tools Required

- 1/16" Allen Wrench
- Drill

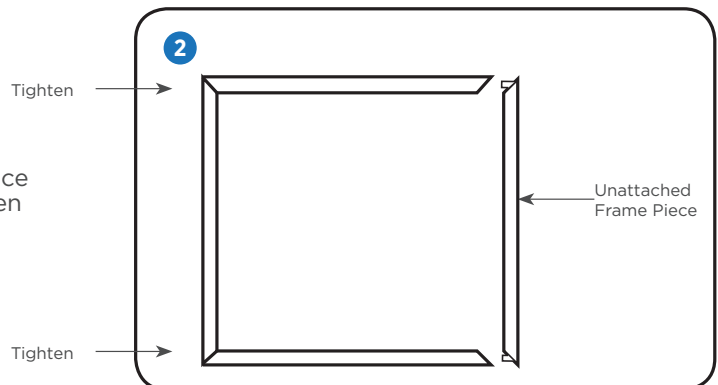
TILT® Components Sold Separately

- Panels
- Speed Whips
- Driver

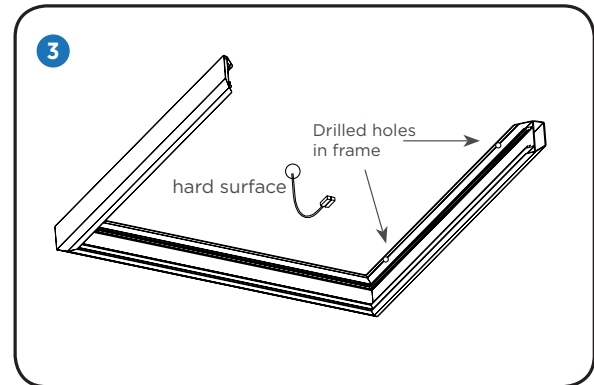
1 Insert the corner keys as shown.



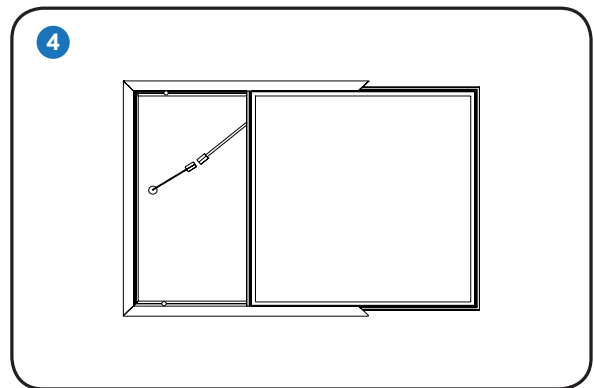
2 Assemble two sides leaving the one frame piece unattached. Tighten the two sides with an Allen wrench.



- 3** Drill mounting holes as needed on partially assembled frame. Drill a 1" hole into the ceiling or hard surface for the Speed Whip to come through.



- 4** Once the kit is mounted to the ceiling, insert the light panel halfway, connect the light to the Speed Whip or Driver.



- 5** After inserting the light panel, attach the last frame piece and tighten with Allen wrench.

