



CONTINUOUS RUN FRAME - 1 3/4"

BEFORE INSTALLATION



• READ ALL INSTRUCTIONS BEFORE BEGINNING INSTALLATION!

Package Contents

- 8 Sheet Metal Screws
- 8 White Caps
- Z- Braces (Qty may vary)
- Extension Keys (Qty may vary)

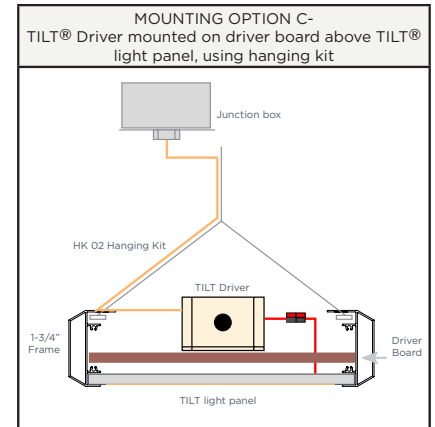
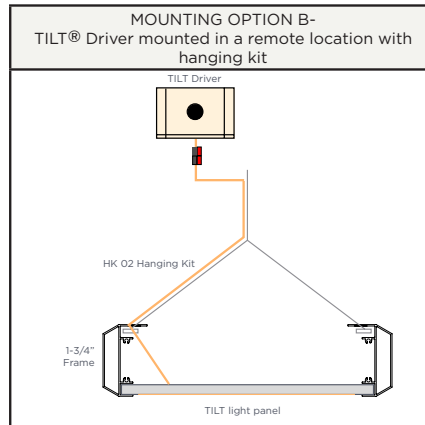
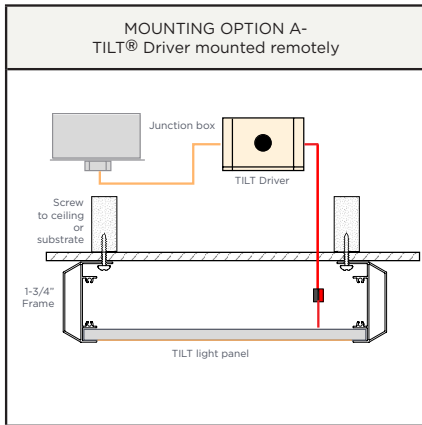
Tools Required

- #2 Phillips Screwdriver
- #2 Phillips Impact Driver
- Channel Lock Pliers
- 1/16" Allen Wrench
- Laser Level

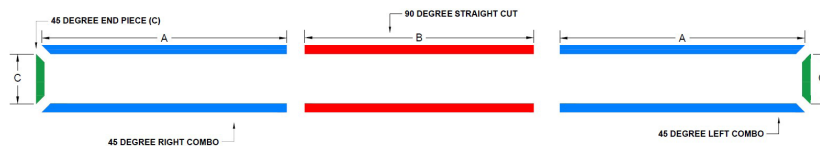
TILT® Components Sold Separately

- 16-100W Driver
- Speed Whips
- Drive Lines

1 Mount the remote driver in an accessible location within 50Ft. of each driver's circuit in the continuous run.



FRAME SECTION DETAIL



- As shown in Figure 1, begin with frame section A set on a workbench for assembly. Insert two Z-Braces into the frame section A equally spaced. This will provide stability to the frame sections.



Figure 1

- As shown in Figure 2, install section C to section A using the provided sheet metal screws. Using a #2 Phillips screwdriver, loosely set all four screws. Then use a #2 Phillips impact driver to tighten each screw evenly until all mitered corners align.

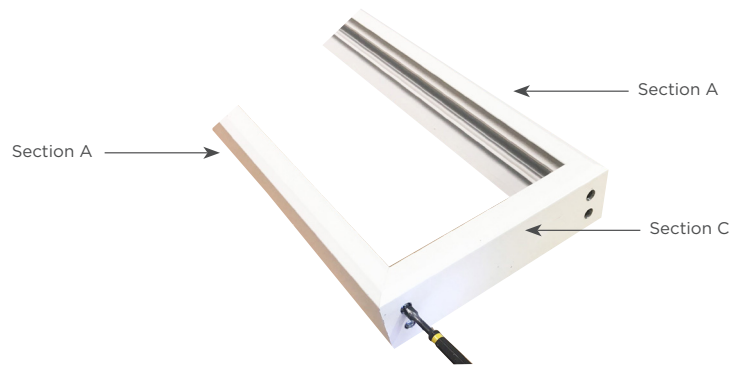


Figure 2

- Insert two extension keys approximately halfway into frame section A as shown in figure 3. Tighten screws on each side with a 1/16" Allen wrench.

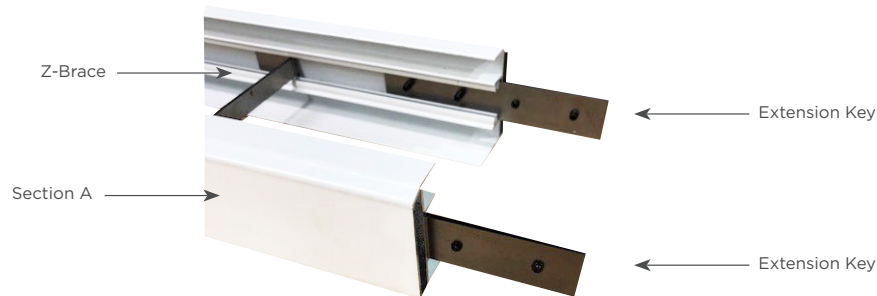


Figure 3

- For Surface Mount application:** Mount section A and section C to the ceiling substrate. Skip instructions #6 and #7.
- For Hanging option:** Attach TILT® HK02 cables to the ceiling or ceiling substrate at intervals corresponding to the holes on each frame section. **Reminder!** HOLE SPACING WILL DIFFER DEPENDING ON THE FRAME SECTION TYPE. Use a laser level to level the entire continuous run.

- 7 Install one HK02 cable to the pre-drilled holes on top of section A as shown in figure 4.

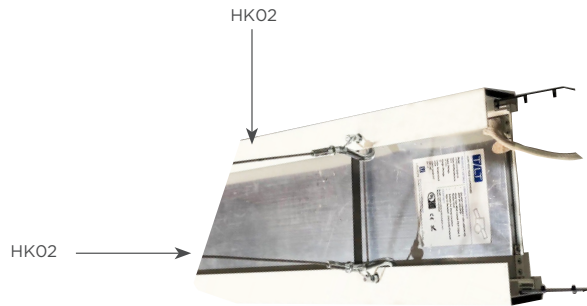


Figure 4

- 8 Install the light panels one at a time into section A as shown in figure 5.



Figure 5

- 9 Repeat steps 2 and 4 with the next frame sections.

- 10 Attach one HK02 cable to the next section. Insert frame section B into the extension keys of section A frame, as shown in figure 6.

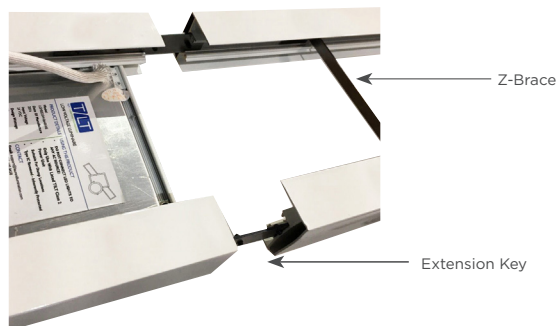


Figure 6

- 11 Tighten the set screws on the extension keys using a 1/16" Allen wrench to hold frames together. Install remaining TILT® panels into the frame. Continue to repeat all above steps for remaining sections in the run.
- 12 Repeat step #3 by attaching section C piece at the end of the run by using the 4 sheet metal screws. Insert white caps into the holes of section C pieces at both ends of the run.
- 13 Route the TILT® Driveline from the remote TILT® Driver down the HK02 cable to the last panel in the driver's circuit as shown in figure 7. This could be 1-4 light panels per driver depending on the wattage of the driver.

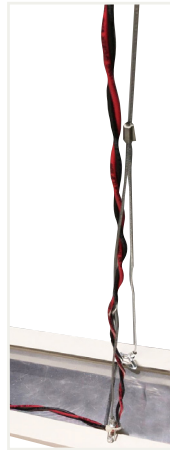


Figure 7

- 14 Connect remaining panels to each driveline using speed whips and pliers as shown in figure 8.

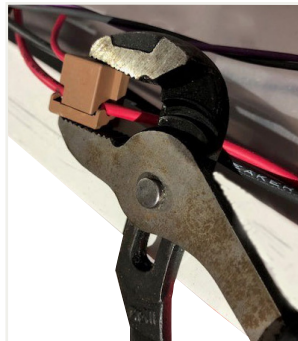


Figure 8

NEED HELP? CALL US AT 855-440-8458