



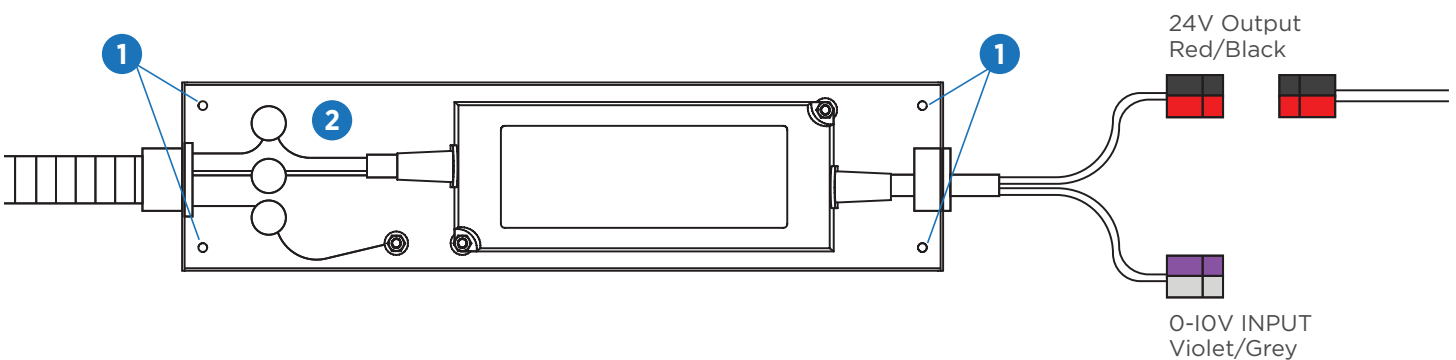
STANDARD DRIVERS

BEFORE INSTALLATION



- **READ ALL INSTRUCTIONS BEFORE BEGINNING INSTALLATION!**
- **CAUTION! RISK OF ELECTRICAL SHOCK!** – Turn off all connected power at the circuit breaker before installation.
- **CAUTION!** – TILT® lights are Class 2 and shall be connected only to the recommended Class 2 power source (TILT® Drivers).
- **FOLLOW ALL APPLICABLE ELECTRICAL CODES, BOTH NEC AND LOCAL!** – If you are uncertain of your local code and regulations, or NEC, contact a licensed electrician.

INSTALLATION INSTRUCTIONS



- 1 MOUNT TILT® DRIVER** – Remove the 4 screws on driver enclosure cover and mount the driver to an appropriate surface using the 4 mounting holes on the inside of driver enclosure (Diagram 1).
- 2 MAKE SURE POWER IS OFF AND CONNECT DRIVER TO AC SUPPLY** – Using approved wire connectors, connect the green and bare Ground conductor(s) to the provided green pigtail; then connect the Neutral conductor(s) to the driver’s white or blue conductor; and then connect the Line conductor(s) to the driver’s black or brown conductor (Diagram 2). Re-install the enclosure cover with the 4 screws previously removed.

- 3 INSTALL TILT® DRIVE LINE & CONNECT TO TILT® DRIVER** – Beginning at the location of the light furthest from the driver, place the drive line along the desired path of lighting and connect the drive line to the driver using the Red/Black Connectors (Diagram 3). If beam clamps/bridal rings are required or desired for attaching drive line to ceiling structure, install them along the desired path of lighting, spacing them 2’ from driver and every 4’ thereafter, before routing drive line through bridal rings.

