

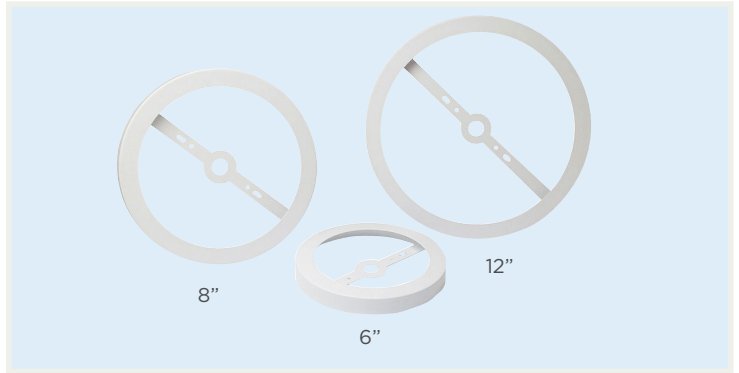


6",8",12" DOWNLIGHT SURFACE MOUNT KIT

PROJECT	
TYPE	PART#

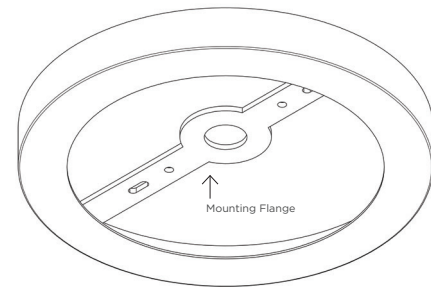
PRODUCT FEATURES

- Easy to install and requires no assembly
- Durable stamped steel construction
- Decorative, elegant appearance with beveled edge
- For use with TILT® Series Downlights
- Mount to any hard surface
- TILT® Driver must be mounted remotely
- Durable powder coat finish (white)
- Custom sizes and colors available upon request



PART NUMBER & PRODUCT GUIDE (6",8",12"DOWNLIGHT SURFACE MOUNT KIT)

Part#	Description	Diameter	Depth
SMR6	6" Surface Mount Round	6"	1"
SMR8	8" Surface Mount Round	8"	1"
SMR12	12" Surface Mount Round	12"	1"



MOUNTING DIAGRAM- TILT® DRIVER MOUNTED REMOTELY

