



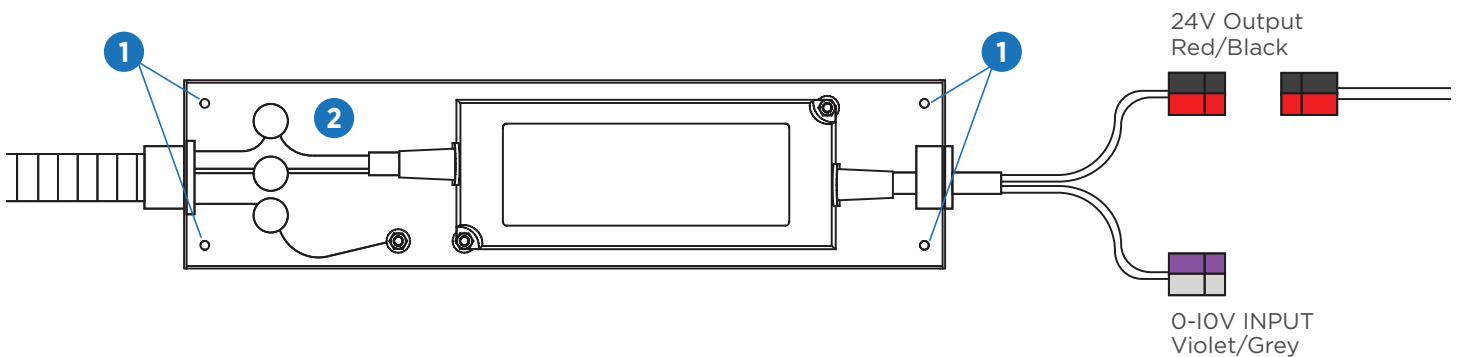
LED DOWNLIGHTS

BEFORE INSTALLATION



- **READ ALL INSTRUCTIONS BEFORE BEGINNING INSTALLATION!**
- **CAUTION! RISK OF ELECTRICAL SHOCK!** – Turn off all connected power at the circuit breaker before installation.
- **CAUTION!** – TILT® lights are Class 2 and shall be connected only to the recommended Class 2 power source (TILT® Drivers).
- **FOLLOW ALL APPLICABLE ELECTRICAL CODES, BOTH NEC AND LOCAL!** – If you are uncertain of your local code and regulations, or NEC, contact a licensed electrician.

INSTALLATION INSTRUCTIONS

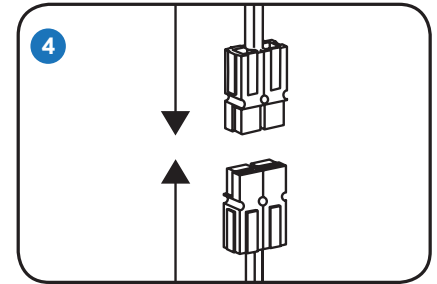


- 1 MOUNT TILT® DRIVER** – Remove the 4 screws on driver enclosure cover and mount the driver to an appropriate surface using the 4 mounting holes on the inside of driver enclosure (Diagram 1).
- 2 MAKE SURE POWER IS OFF AND CONNECT DRIVER TO AC SUPPLY** – Using approved wire connectors, connect the green and bare Ground conductor(s) to the provided green pigtail; then connect the Neutral conductor(s) to the driver’s white or blue conductor; and then connect the Line conductor(s) to the driver’s black or brown conductor (Diagram 2). Re-install the enclosure cover with the 4 screws previously removed.
- 3 PREPARE CUT-OUTS ON MOUNTING SURFACE (SURFACE MATERIAL SHALL NOT EXCEED 15/16” THICK)** - Cut-out dimensions should be sized as follows:

	4"	6"	8"	10"	12"	24"
Round	3 ¾"	6 ⅜"	8 ¾"	NA	11 ¼"	22 ⅞"
Square	3 ½"x 3 ½"	5 ½"x 5 ½"	7 ½"x 7 ½"	9 ½"x 9 ½"	11 ½"x 11 ½"	NA
Round Recessed	NA	NA	8"	NA	NA	NA
Recess Kit	NA	7 ⅞"	NA	NA	NA	NA

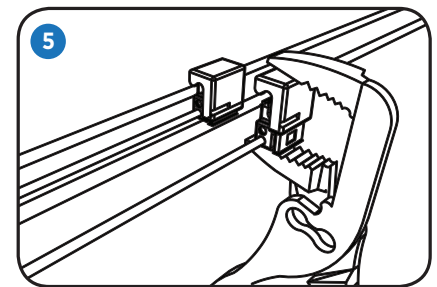
4 INSTALL TILT® DRIVE LINE & CONNECT TO TILT® DRIVER

Beginning at the cut-out for the light furthest from the driver, place the drive line along the desired path of lighting and connect the drive line to the driver using the Red/Black Connectors (Diagram 4). If beam clamps/bridal rings are required or desired for attaching drive line to ceiling structure, install them along the desired path of lighting, spacing them 2' from driver and every 4' thereafter, before routing drive line through bridal rings.



5 CONNECT TILT® LED DOWNLIGHTS TO TILT® DRIVE LINE

Connect the Red/Black Connector on the downlight located closest to the end of the drive line to the Red/Black Connector on the end of the drive line (Diagram 4). Any additional downlight(s) to be powered by the same drive line will be connected using TILT® Speed Whips. One end of each speed whip is attached to the drive line, using pliers to connect the Red/Black Insulation Displacement Connectors to the corresponding Red and Black wires on the drive line (Diagram 5), and the other end is connected to the light panel using the Red/Black Connectors (Diagram 4). **(Note: Step 5 and 6 must be performed together for each downlight)**

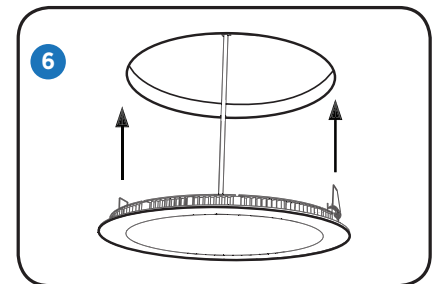


6 INSTALL TILT® LED DOWNLIGHT INTO MOUNTING SURFACE

Rotate the springs on the downlight up until they are perpendicular to the face of the downlight and then insert downlight into cut-out. Apply pressure until downlight is flush with mounting surface (Diagram 6).

Note: If installing TILT® Downlight Recess Kit, see Installation Instructions for that accessory.

Note: Light panels must be located within 50' of driver.



NEED HELP? CALL US AT 855-440-8458

LIMITED WARRANTY

Lauren Illumination, LLC (“Lauren”) warrants all TILT lights, standard drivers and wired components (“Product”) to be free from defects in material and workmanship for a period of 7 years from the date the Product leaves the factory where it was manufactured. This warranty does not cover defects or failures due to fire, power surges, abuse, vandalism, accident, or acts of God. This warranty only applies when Product is properly installed according to the included directions and is installed in compliance with all local NEC and UL codes (ANSI and CSA in Canada). This warranty is voided if the Product is not used for the purpose for which it was manufactured. THIS WARRANTY IS IN LIEU OF ALL OTHER WARRANTIES, WHETHER EXPRESSED OR IMPLIED, INCLUDING ANY WARRANTY OF MERCHANTABILITY OR FITNESS FOR PARTICULAR PURPOSE. Products that fail to meet this warranty shall be reported to Lauren within 60 days of the defect’s discovery, and sent to Lauren, freight prepaid, with receipt of purchase. Product defects not reported within 60 days of the initial discovery are not covered under this warranty. Upon receipt of Product, if the Product is found to be defective, the Product, at Lauren’s option, will be repaired or replaced with a similar or new product. Lauren reserves the right to inspect all Products and to be the sole judge as to whether the Product is defective and covered under the warranty. THE FOREGOING STATES BUYER’S EXCLUSIVE REMEDY FOR ANY BREACH OF THIS WARRANTY AND FOR ANY CLAIM, WHETHER SOUNDING IN CONTRACT, TORT OR NEGLIGENCE, FOR LOSS OR INJURY CAUSED BY THE SALE OR USE OF ANY PRODUCT AND, WITHOUT LIMITING THE GENERALITY OF THE FOREGOING, LAUREN SHALL IN NO EVENT BE RESPONSIBLE FOR ANY LOSS OF BUSINESS OR PROFITS, DOWNTIME OR DELAY, LABOR, REPAIR OR MATERIAL COSTS OR ANY INDIRECT, SPECIAL, INCIDENTAL OR CONSEQUENTIAL DAMAGES INCURRED BY THE BUYER.

