



# 2 1/2" SURFACE MOUNT KIT

PROJECT	
TYPE	PART#

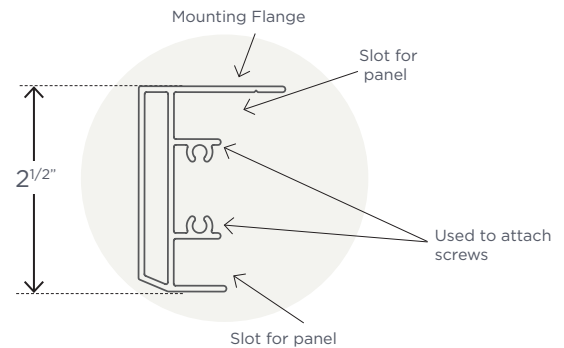
## PRODUCT FEATURES

- Easy assembly and installation
- Durable extruded aluminum frame
- Decorative, elegant appearance with beveled edge
- For use with TILT® Grid Mount (LGM Series) and Linear Series lights
- Mount to any hard surface or suspend with TILT® Hanging Kit
- TILT® Driver can be mounted remotely or inside frame
- Durable powder coat finish (white)
- Conduit holes available
- Custom sizes and colors available upon request



## PART NUMBER & PRODUCT GUIDE (2 1/2" SURFACE MOUNT KIT)

Part#	Description	Size (WxLxD)
SM0448250W	2.50" Surface Mount Frame	4"x 48"x 2.50"
SM0648250W	2.50" Surface Mount Frame	6"x 48"x 2.50"
SM0848250W	2.50" Surface Mount Frame	8"x 48"x 2.50"
SM1048250W	2.50" Surface Mount Frame	10"x 48"x 2.50"
SM14250W	2.50" Surface Mount Frame	12"x 48"x 2.50"
SM22250W	2.50" Surface Mount Frame	24"x 24"x 2.50"
SM24250W	2.50" Surface Mount Frame	24"x 48"x 2.50"



## HANGING KIT OPTION



Part#	Description
HK02	2 piece Hanging Mount Kit (10 Ft. length) Use to hang surface mount kit from ceiling substrate

MOUNTING DIAGRAMS

CONDUIT DIAGRAMS

